

Series 1005P1 Pneumatic Liquid Level Switch

Rugged and Reliable:

Used as a panel alarm or for control valve operation



Model (P)



Model (O)

Model 1005P1 is a float-actuated, pneumatic switch that opens or closes a block and bleed snap-acting valve. This switch is used as either a high or low level alarm with pneumatic panels. Model P is the same as Model O except a pneumatic 3-way pilot valve is added. This style is for use with a pneumatically operated control valve to control liquids in separators and scrubbers, etc.

Special Feature

- 3-way pilot valve has a built in manual override and porting for piped exhaust

Specifications

Body

- Process Connection
2.00" NPT
- Material
Carbon steel plated (std.)
316 stainless steel (opt.)
- Pressure rating
1500 psig
- Vent connection
0.25" NPT (female)

Float

- Material
316 stainless steel
- Pressure rating
1500 psig

Seals

- Material (wetted)
Fluorocarbon (std.), nitrile (opt.)
- Material (non-wetted)
Nitrile (Std.), fluorocarbon (opt.)

Air

- Supply
Min. operating 15 psig
Max. operating 50 psi
Max. allowable 100 psi
- Connection
0.125" NPT (female)

Pilot

- Type
3-way
- Connection
0.125" NPT (female)
- Pressure gauge
0-30 psig (std.) 0-60 psig (opt.)

Temperature Rating

- 180° F (std.) 250° (opt.)

Specific Gravity (Min.)

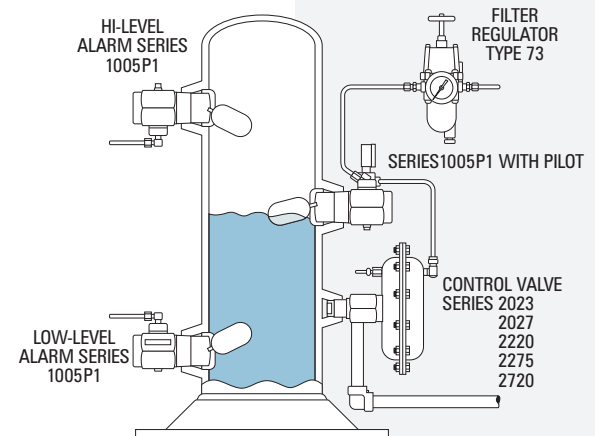
- 0.60 (std.)
Lower specific gravities,
consult factory

Optional Items

- Float extension arms
- Pipe adapter .125" M x .250" F
- Filter/regulators with gauges
- 40 micron filter
- External float chambers

Flow Coefficients (Cv)

- Block & bleed output 0.11
- Pilot output 0.28
- Pilot consumption 0.007



Typical separator/scrubber installation

Note: A supply filter/regulator should be installed to provide clean, dry air for proper performance of switch.



Engineered
Performance

Model Code

How to Order

1. Specify Series 1005P1
2. Select Model Number

BODY MATERIAL	
Type	Code
1018 carbon steel	1018
316 stainless steel	0316

SERVICE			
Service	Arm/Stem	Float	Code
Standard	316 SST	316 SST	-
H ₂ S	316 SST	316 SST	N*

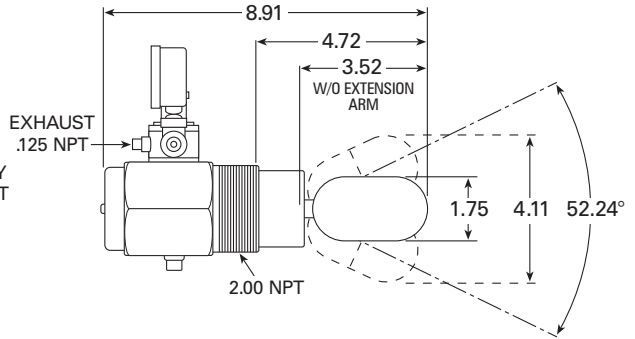
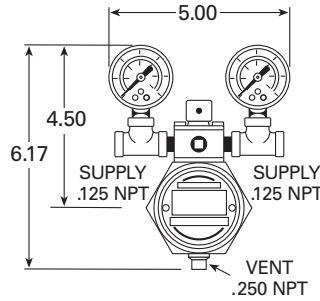
* Compliance with NACE Spec. MR 0175

1018 - V P

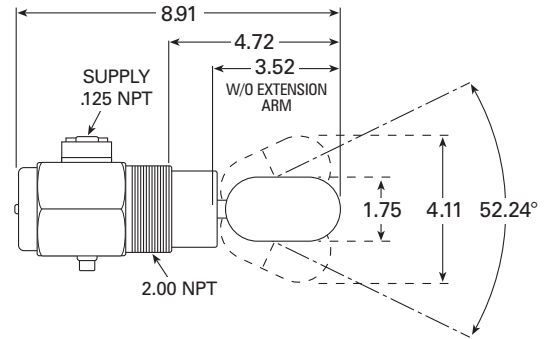
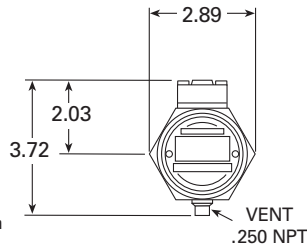
PILOT OPTION	
Code	Option
P	With pilot and gauges
O	Without pilot
N	With pilot and no gauges

SEAL MATERIAL			
Code	Wetted	Nonwetted	Max. Temp.
V (Std)	Viton	Buna N	180° F
B	Buna N	Buna N	180° F
F	Viton	Viton	250° F

*Series 1005P1
Block and Bleed
with Pilot, Model P*



*Series 1005P1
Block and Bleed,
Model O*



Note: Do not install standard units in a full pipe coupling.

Please contact your Norriseal representative for more details and assistance in specifying the optimal solution for your application.



Engineered Performance

Tel: 713-466-3552
Fax: 713-896-7386
www.norriseal.com



Tel: (780) 434-8566
Fax: (780) 434-4267
www.albertaoiltool.com

©2014 Dover Corporation/Norriseal and its affiliates. This manual, including all text and images, is a copyrighted work of Dover Corporation/Norriseal and its affiliates. It may not be, in whole or in part, photocopied, scanned, or otherwise reproduced, revised, or publicly displayed, without prior written permission from Norriseal. This manual is for use only with the new Norriseal valves and/or controllers listed in the manual. It may not be distributed with, and is not for use with, any remanufactured products.

Due to the continuous improvement program at Norriseal, specifications and/or prices are subject to change without notice or obligation.

All trademarks contained herein are the property of their respective owners.