

Norriseal Series 2026 and 2027A No-Freeze Valves

Since its introduction in 1957, the Series 2026/2027A No-Freeze control valve has been the standard on separators and other process vessels in the oil and gas industry. The body is threaded into the process vessel, allowing the valve plug/seat to be placed into the warm process fluid which will prevent or inhibit freezing due to pressure differential or low ambient temperatures.

Specifications

- Body style: 2026 single port angle, 2.0-inch MNPT vessel connection, 1.0-inch FNPT inlet and outlet, 2027A single port angle, 2.0 inch MNPT vessel connection, 1.0-inch FNPT outlet only
- 2250 psig maximum working pressure
- Body material: carbon steel
- Temperature Range: -20°F (-29°C) to 180°F (82°C)
- 1/4, 3/8, and 1/2-inch trim sizes

Features

- No-freeze body
- Hammer nut enclosure
- Quick access to trim for inspection or replacement
- SST or carbide trim material
- Adjustable and non-adjustable actuators
- Teflon “V” ring, spring loaded packing
- Optional NACE MR0175 materials



Series 2026
with an adjustable
actuator

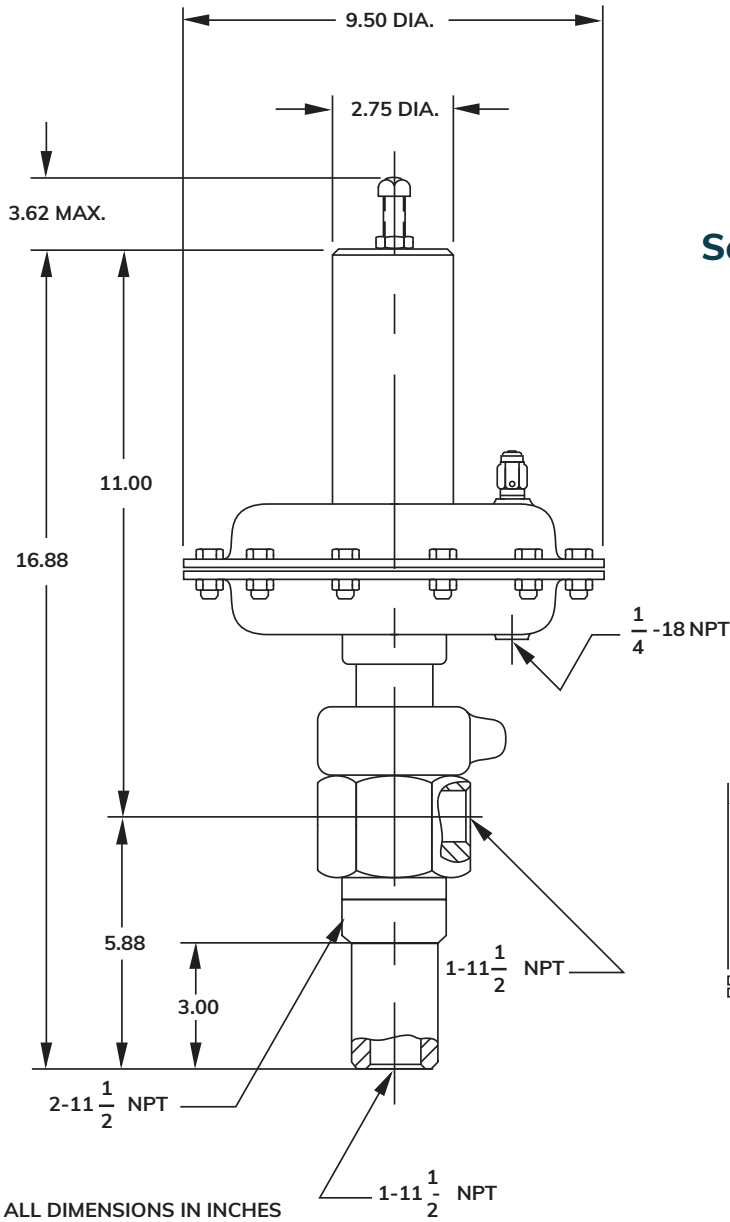


Series 2027A
with a non-adjustable
actuator

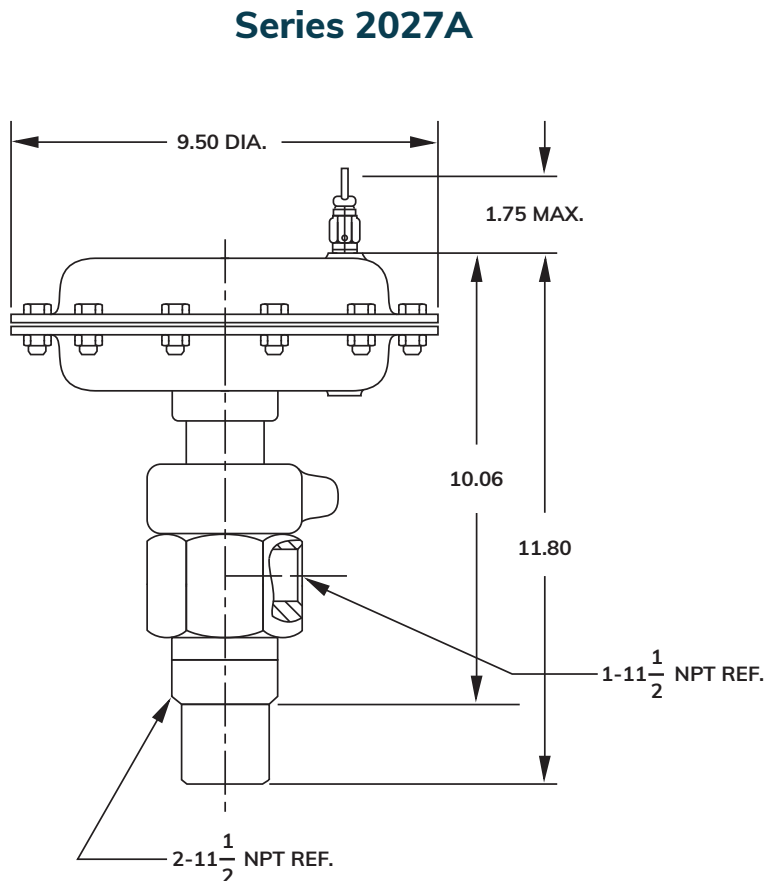
FLOW COEFFICIENTS & CAPACITIES

Orifice Size	Cv Max Value	Flow Capacity (GPM)
1/4" QO	1.6	3.6
3/8 QO	4.2	9.4
1/2" QO	6.3	14.08

Series 2026 and 2027A No-Freeze Valves - Drawings



Series 2026



Series 2027A

Model code

2026 S-22 T A A-9AA 0.25 BQ 440/17-4

A
B
C
D
E
F
G
H
I
J
K

A

VALVE SERIES	
Series 2026	Max WP 2250 psig @ 100° F
Series 2027A	Max WP 2250 psig @ 100° F

B

BODY CONNECTION	
Code	Type
S	Screw (NPT)

C

SERVICE	
Code	Type
-	Standard
N	NACE MR-01-75

D

BODY RATING	
Code	Working Press.
22	2250 (ANSI 900)

E

ACTUATOR ACTION	
Code	Mode
T	Reverse – Adj.
B	Direct – Adj.
R	Reverse – Non Adj.

F

BODY STYLE	
Code	Type
A	Angle

G

SEALS	
Code	Material
A	Buna N
K	Viton(*)
V	Viton
(*) NACE Option	

H

ACTUATOR/SPRING	
Code	Style
9AA	On/off Adj.
9BA 4	On/Off Non-Adj. (4 Non-Adj. Springs)

I

TRIM SIZE	
Code	Nominal Size
0.25	1/4 inch
0.38	3/8 inch
0.50	1/2 inch

J

TRIM STYLE	
Code	Characteristic
BQ	Quick Open

K

SELECT TRIM MATERIAL	
Code	CARB Material
440	440/303 SST Valve Plug 17-4PH SST Valve Seat
(*) NACE Option	Carbide/316 SST Valve Plug Carbide/316 SST Valve Seat (*)

Why you can depend on genuine Norriseal-Wellmark products

- In-house engineering and technical support
- In-depth applications experience
- Award-winning innovation and ongoing product development
- ISO 9001 certified manufacturing
- Over five decades of industry service
- Compliance with all industry standards and specifications
- Responsive service and prompt delivery
- Field support available worldwide

Contact Norriseal-Wellmark for more information about our products and services.

Texas

Houston 713-466-3552

Oklahoma

Oklahoma City 405-672-6660

Louisiana

Broussard 337-837-3223



Follow us on LinkedIn.

Request for Quote

NRS_RFQ@championx.com



NorrisealWellmark.com

Norriseal-Wellmark | 11122 W Little York Rd | Houston, TX 77041

This document is provided on an "as is" basis without warranties of any kind. Norriseal-Wellmark DISCLAIMS ALL WARRANTIES, EXPRESS OR IMPLIED, INCLUDING, BUT NOT LIMITED TO, IMPLIED WARRANTIES OF MERCHANTABILITY, FITNESS FOR A PARTICULAR PURPOSE OR SUITABILITY FOR ANY PURPOSE, TITLE, AND NON-INFRINGEMENT. While reasonable care has been taken in the preparation of this document, Norriseal-Wellmark does not represent or warrant that the contents of this document are accurate, complete, reliable, current or error-free.