



Metal Seated Floating ball valve



ANSI

- Construction as per BS5351 and EN ISO 17292
- Flanges ASME B16.5
- Face to Face as per ANSI B16.10 and API 6D
- Top flange ISO 5211
- Rating: Class150, 300 and 600

Applications

- Media with high temperature.
- Media with solids in suspension which produce erosion or damage on valves with soft seats .
- Adapted for highly corrosive products.

Seats and balls

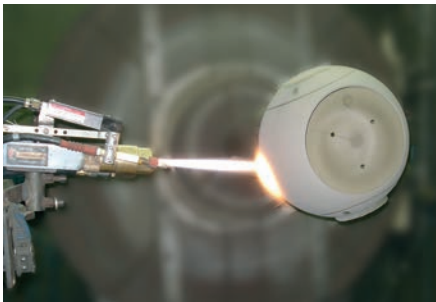
- (Cr-Carbide)
The metallic seat and ball have a projection of Chromium Carbide on AISI 316 with good resistance to the erosion, cavitation and corrosion with a superficial hardness of 950-1100 HVN₃₀₀, it can support temperatures up to 600°C.

DIN

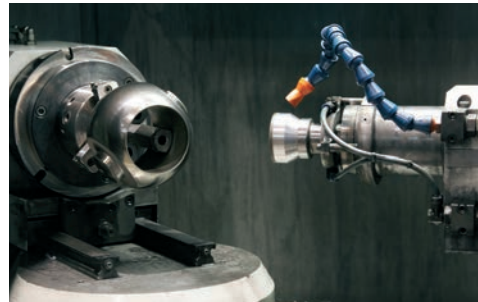
- Construction DIN 3357 and ISO 17292
- Flanges EN 1092
- Face to Face as per EN 558 and DIN 3202
- Top flange ISO 5211
- Rating: PN 16, 40 and 100



Coating and grinding



Cr-Carbide Application



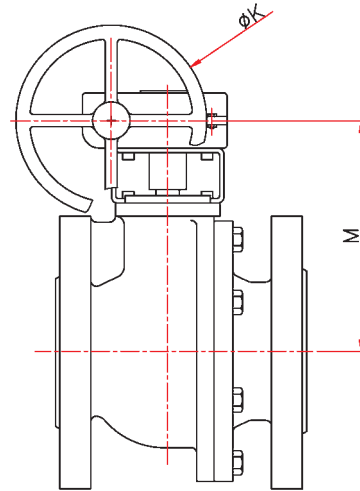
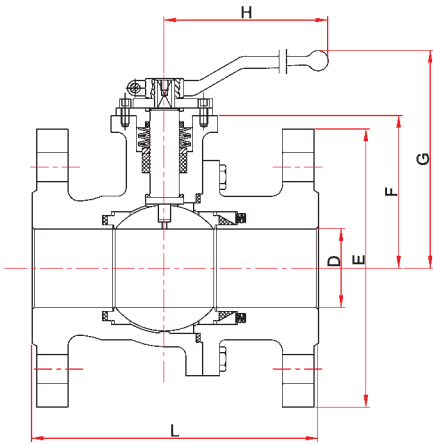
Grinding

Standard construction materials



DESCRIPTION	ANSI		DIN	
	MS14/34/64 CGGG	MS16/36/66 CGGG	MS04/24 CGGG	MS06/26 CGGG
Body	A216 WCC	A351 CF8M	1.0619	1.4408
Ball	A351 CF8M+Cr-C	A351 CF8M+Cr-C	1.4408+Cr-C	1.4408+Cr-C
Stem	AISI 316 / F51	AISI 316 / F51	AISI 316/ F51	AISI 316/ F51
Packing ring	Graphite	Graphite	Graphite	Graphite
Body seal	Graphite	Graphite	Graphite	Graphite
Bolts	A193 B7M	A193 B8M	A2-70	A4-70
Metal seats	AISI 316+Cr-C	AISI 316+Cr-C	1.4401 +Cr-C	1.4401+Cr-C

■ Dimensions



DN=D	DIN											H	K	M
	L ⁽¹⁾			E		F		G		H	K			
	F1 ⁽¹⁾	F4 ⁽²⁾	F5 ⁽³⁾	PN16	PN40	PN100	PN16/40	PN100	PN16/40			PN100		
15	130	115	-	95	95	105	52	61	100	-	185	-	-	
20	150	120	-	105	105	-	54	-	102	-	185	-	-	
25	160	125	-	115	115	140	60	61	111	112	185	-	-	
32	180	130	-	140	140	-	65	-	115	-	185	-	-	
40	200	140	-	150	150	170	75	76	130	130	300	200	183	
50	230	150	-	165	165	195	83	83	138	137	300	200	192	
65	290	170	-	185	185	-	96	-	150	-	300	300	204	
80	310	180	-	200	200	-	114	-	187	-	350	300	222	
100	350	190	-	220	235	-	128	-	201	-	350	300	238	
125	-	-	325	250	270	-	158	-	247	-	680	400	279	
150	-	-	350	285	-	-	175	-	264	-	680	400	298	
200	-	-	400	340	-	-	245	-	334	-	750	400	375	

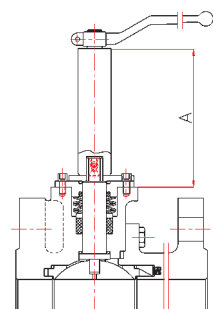
NPS	D	L			E			F				H	K	M
		150	300	600	150	300	600	150/300	600	150/300	600			
1/2"	15	108	140	165	89	95	95	52	61	100	112	185	-	-
3/4"	20	117	152	190	98	117	120	54	61	102	112	185	-	-
1"	25	127	165	216	108	124	124	60	61	111	112	185	-	-
1 1/2"	40	165	190	241	127	155	155	75	76	130	130	300	200	183
2"	50	178	216	292	152	165	165	84	83	138	137	300	200	192
2 1/2"	65	190	241	-	178	190	-	96	-	150	-	300	300	204
3"	80	203	283	-	190	209	-	114	-	187	-	350	300	222
4"	100	229	304	-	228	254	-	128	-	201	-	350	300	238
6"	150	394	-	-	279	-	-	175	-	-	-	680	400	298
8"	200	457	-	-	343	-	-	281	-	-	-	750	400	375

⁽¹⁾ EN 558 serie 1, ⁽²⁾ EN 558 serie 14, ⁽³⁾ EN 558 serie 15.

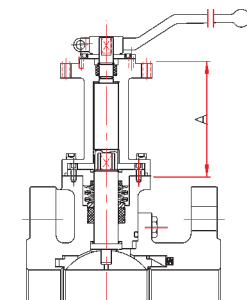
Top flange ISO 5211

DN	15	20	25	40	50	65	80	100	150	200
NPS	1/2"	3/4"	1"	1 1/2"	2"	2 1/2"	3"	4"	6"	8"
PN16-40	F05	F05	F05	F07	F07	F07	F10	F10	F12	F14
PN 100	F05	F05	F05	F07	F07	-	-	-	-	-
150-300 lbs	F05	F05	F05	F07	F07	F07	F10	F10	F12	F14
600 lbs	F05	F05	F05	F07	F07	-	-	-	-	-

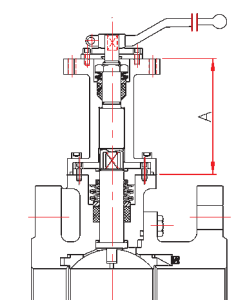
■ Stem extensions



Simple



Standard



Security

A = 150mm . Other lengths under request. Recommended for temperatures from 350°C

Leak tests

According to API 598, ISO 5208 Rate C, EN12266 Rate C, ANSI FCI 70 Class V (on request or leakage 0).

Rating	Hydraulic shell test	Hydraulic seat test	Pneumatic seat test
150/PN 16	30/24 bars	22/18 bars	6 bars
300/PN 40	78/60 bars	57/44 bars	6 bars
600/PN 100	156/150 bars	114/110 bars	6 bars

Size	Shell test Test Duración minimum	Seat test	
		Test duration minimum	Maximum leakage rate as per class V (ml / min.)
1/2" to 1 1/2" (DN15-40)	15 sec	15 sec	0.2-0.3
2" to 6" (DN50-150)	60 sec	60 sec	1.2-3.3
8" (DN 200)	120 sec	120 sec	9

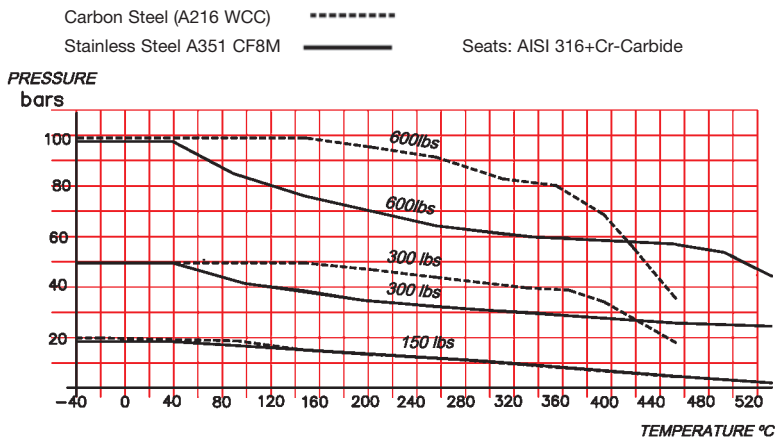
Breakaway torque in Nm*

DN	15	20	25	40	50	65	80	100	150	200
NPS	1/2"	3/4"	1"	1 1/2"	2"	2 1/2"	3"	4"	6"	8"
Class 150	11	14	20	60	70	110	180	280	539	910
Class 300	18	21	28	70	118	170	310	510	-	-
Class 600	25	35	50	92	170	-	-	-	-	-
PN16	10	12	18	55	58	105	175	260	520	715
PN40	17	20	25	65	85	130	275	420	-	-
PN100	25	35	50	92	170	-	-	-	-	-

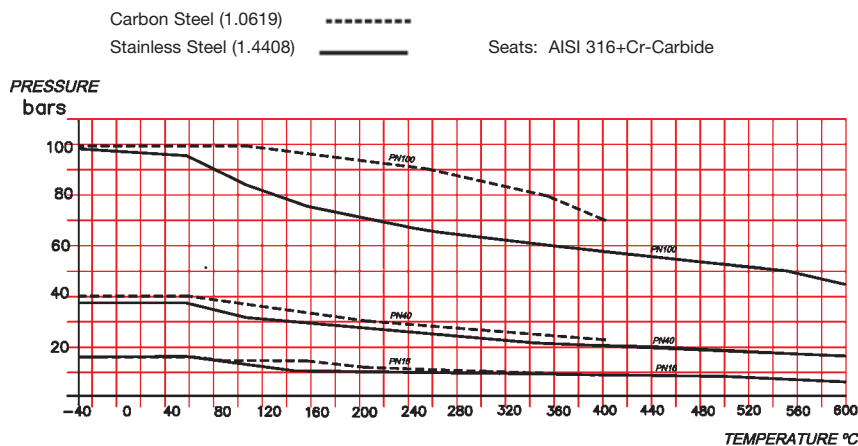
* Breakaway to ΔP maximum for for each rating .Test made with water at ambient Temperature, excluding safety factor.

P-T Diagram

ANSI



DIN



Pekos Valves S.A.

C/ Rec del Molinar, 9 - Poligono Ind. El Circuit
08160 Montmeló - Barcelona (Spain)

Tel. : (+34) 93 568 92 56
Fax. : (+34) 93 579 92 44

pekos@pekos.es
www. pekos.es