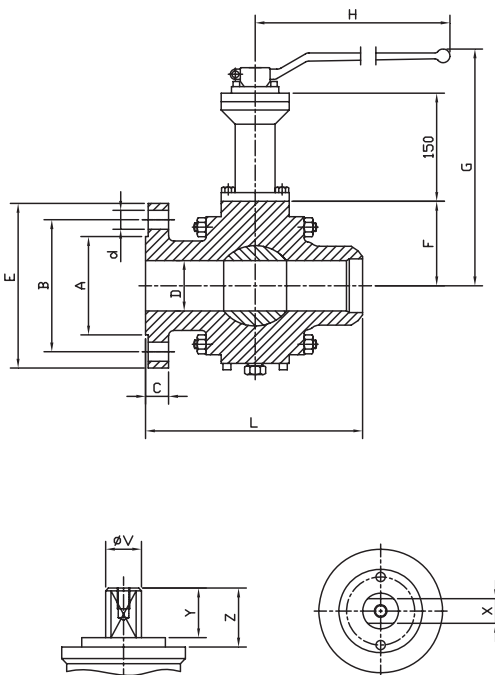
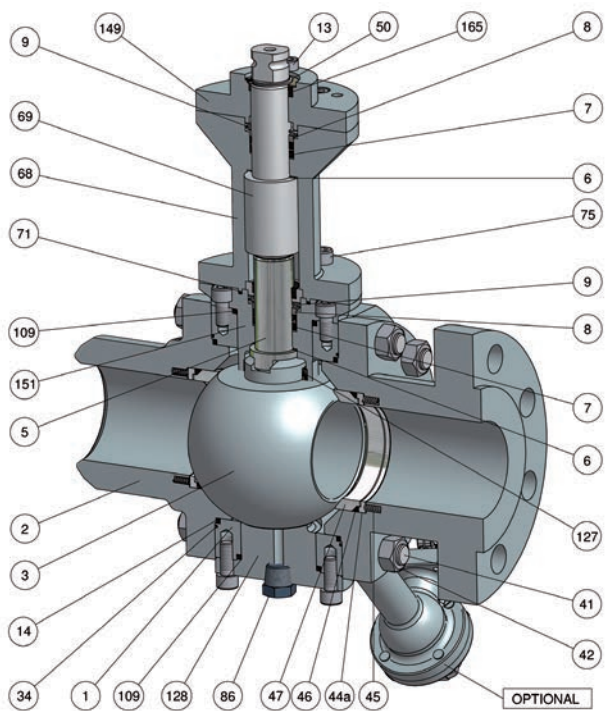




Ball valve for HTF service



HIGH PERFORMANCE METAL SEATED



Position	Description	Material
1	Body 1	A-105
2	Body 2	A-105
3	Ball	A351 CF8M+Cr-Carbide
5	Stem	A276 XM-19
6	Stem seal	AISI 316 Nitrided
7	Stem packing 1	Graphite
8	Gland packing	AISI 316
9	Spring washer	Inconel X750
13	Cover bolt	A4-70
14	Body seal 1	Graphite
34	Body seal 2	Graphite
41	Stud	A193 B7M
42	Nut	A194 2HM
44a	Ring seat 1	AISI 316
45	Spring	Inconel X750
46	Seat seal	Graphite
47	Metal seat	AISI 316+Cr-Carbide
68	Stem extension casing	AISI 304
69	Stem extension	A276 Xm-19
71	Extension ring	Graphite
75	Extension bolt	A4-70
86	Drain plug	A350 LF2
109	Cover seal	Graphite
110	Subjection ring seal	AISI 316 Nitrided
127	Stem bearing	Carbongraphite
128	Body cover 2	A-105
151	Body cover 1	A-105
163	Body cover 2 bolt	A4-70
165	Stem bearing	Carbongraphite

General features

- Trunnion mounted
- Double block & bleed
- Three piece construction
- Cavity pressure relief
- Bidirectional
- Full bore
- Stem with double packing and live loaded system
- Anti blow out stem
- Antistatic stem
- Metal seated
- Spring loaded seats
- Optionally with protected seats

- Flanges acc. B 16.5
- BW acc. B16.25
- ISO 5208, BS6755
- Testing according ISO 12266, API 598
- NACE MR01-75

Approvals

- API 6D
- CE
- ATEX 94-9EC
- SIL 3
- FIRE SAFE acc. API 607 5^a ed.
- TA LUFT

Standards

- BS 5351- EN ISO 17292
- Top flange ISO 5211
- Face to Face B16.10

DN	CLASS	L	E	A	B	C	F	H	G	V	X	Y	Z	ISO 5211	N° Holes	d
2"	300/600	216/292	165	92	127	23/33	98	293	288	22	17	20	30	F7	8	19
2 1/2"	300/600	241/330	191	105	149,2	26/36	120/128	293/350	310/334	22/28	17/22	20/22	30/40	F7/F10	8	22
3"	300/600	283/356	210	127	168.5	29/39	131	350	337	28	22	22	40	F10	8	22
4"	300/600	305/432	254/273	157	215,9	32/45	142/175	350/740	348/434	28/36	22/27	22/35	40/50	F10/F12	8	22/25,4

