



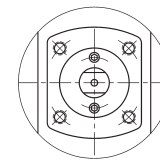
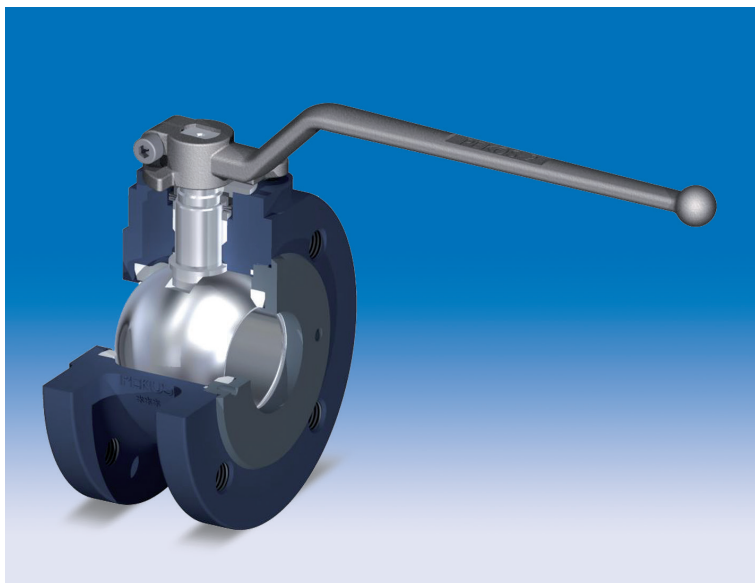
## General features

- Construction DIN PN10 to PN40 (EN 12516, ISO 17292) and ANSI 150 lbs (API 6D, B16.34).
- Leak test as per EN 12266 part.1, API 598, API 6D and BS 6755 part. 1.
- Floating
- Full bore.
- End entry.

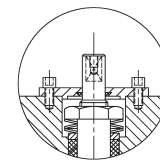
## Official approvals

- CERTIFICATE FIRE SAFE
- TÜV.AD-MERKBLATT TWO
- TA-LUFT
- ATEX 94/9/EC
- API 6D
- PED 97/23/CE
- SIL 3 CAPABLE

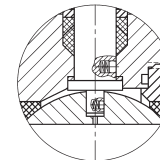
## Design advantages



Top flange  
ISO 5211

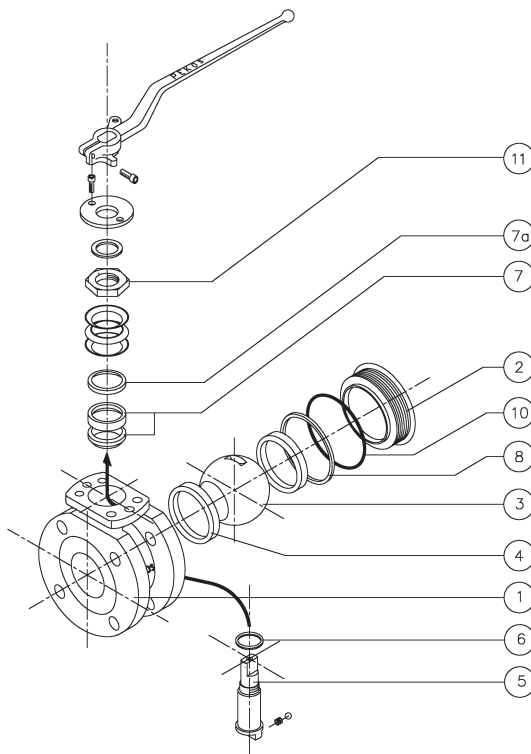


Guided stem  
Stem packing  
MAINTENANCE  
FREE



Anti-blow  
out stem  
Antistatic  
device

## Standard construction materials

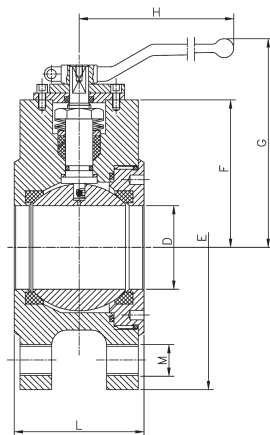


Item	Description	Fig. 94 TTVV	Fig. 96 TTVV
1	Body 1	1.0619 / A216 WCC	1.4408 / A351 CF8M
2	Body 2	A-105	1.4401 / AISI 316
3	Ball	1.4408 / A351 CF8M	
4	Seats	PTFE (T)	
5	Stem	1.4401 / AISI 316	
6	Stem seal	PTFE + FG (R)	
7	Packing 1	PTFE (T)	
7a	Packing 2	1.4401 / AISI 316	
8	Body seal 1	PTFE (T)	
10	Body seal 2	VITON (V)	
11	Stem nut	1.4305 / AISI303	

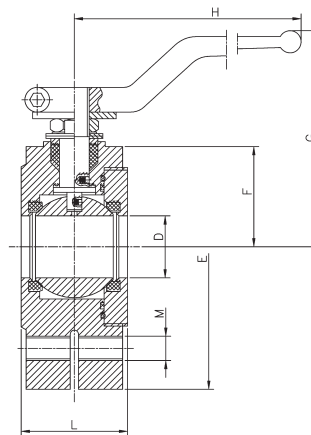
## Dimensions

DN (DIN)	NPS (ANSI)	D	L	E	F	G	H	M (DIN)	Holes (DIN)	M (ANSI)	Holes (ANSI)	ISO 5211	Weight (kg)	Valve type
15	1/2"	15	35	95	37	102	185	M12	4	1/2" W	4	F03	1,6	B
20	3/4"	20	35	105	37	102	185	M12	4	1/2" W	4	F03	1,9	B
25	1"	25	43	115	41	106	185	M12	4	1/2" W	4	F03	2,7	B
32	1 1/4"	30	51	140	63	115	185	M16	4	1/2" W	4	F05	5,3	A
40	1 1/2"	38	64	150	75	129	185	M16	4	1/2" W	4	F05	5	A
50	2"	50	85	165	83	137	293	M16	4	5/8" W	4	F07	7,4	A
65*	2 1/2"	64	103	185	97	150	293	M16	4	5/8" W	4	F07	10,3	A
80	3"	75	120	200	110	185	350	M16	8	5/8" W	4	F10	14,4	A
100*	4"	98	155	220	126	200	350	M16	8	5/8" W	8	F10	21,8	A

DIN DN65 and DN100 only available PN16.



Type A

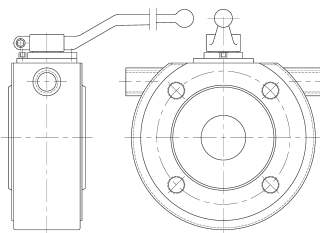


Type B

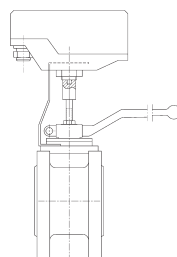
## Breakaway torques (Nm)

DN NPS	15 1/2"	20 3/4"	25 1"	32 1 1/4"	40 1 1/2"	50 2"	65 2 1/2"	80 3"	100 4"
PN16 - ANSI 150lbs.	8	8	14	20	31	42	55	78	105
PN40	11	11	17	28	60	85	-	115	-

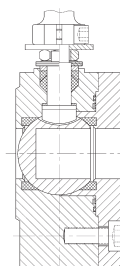
## Others



Heating jacket



Limit switch



Sampling valve